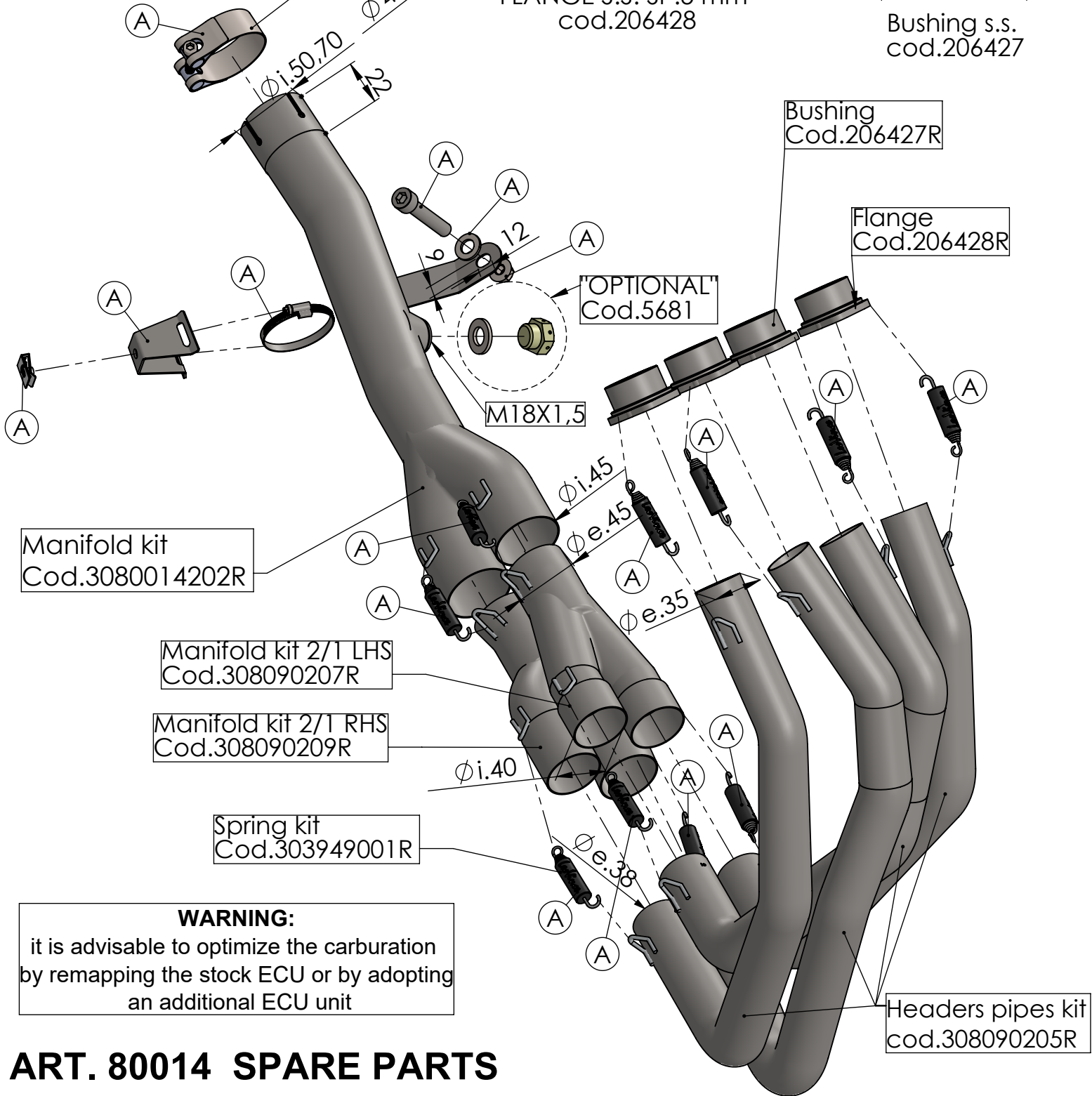
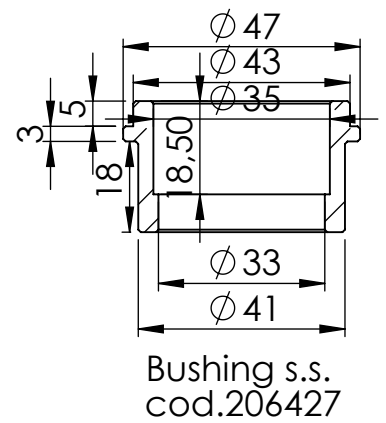
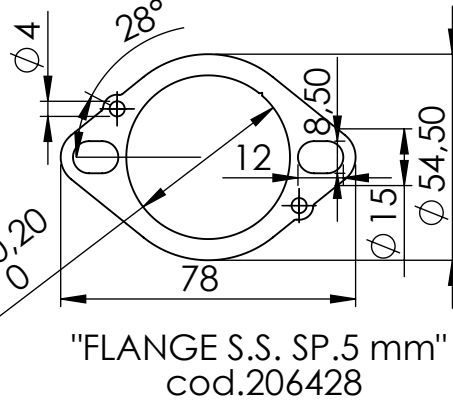


**Notice:**  
the original heat shield  
can be fitted back in position.

Manifold clamp 53 mm  
cod.300053530R



**WARNING:**  
it is advisable to optimize the carburation  
by remapping the stock ECU or by adopting  
an additional ECU unit

# ART. 80014 SPARE PARTS

## KAWASAKI Z900

(Compatible with the stock exhaust and  
the LeoVince slip-on Art.15239-15239B-15239T-15239C-14332E-14332ET-14333E.)

**(A) FITTING KIT cod.3080014601**